



Technical data

MESSKO® MPREC®. Pressure relief device

5785291/05 EN



© All rights reserved by Maschinenfabrik Reinhausen

Dissemination and reproduction of this document and use and disclosure of its content are strictly prohibited unless expressly permitted.

Infringements will result in liability for compensation. All rights reserved in the event of the granting of patents, utility models or designs.

The product may have been altered since this document was published.

We reserve the right to change the technical data, design and scope of supply.

Generally the information provided and agreements made when processing the individual quotations and orders are binding.

The product is delivered in accordance with MR's technical specifications, which are based on information provided by the customer. The customer has a duty of care to ensure the compatibility of the specified product with the customer's planned scope of application.

The original operating instructions were written in German.

1 Design/versions

This technical document contains detailed information about the technical properties of the product. To place an order, please use the "Bestellangabenblatt (Inquiry and order specifications)" form, which you will find on our website <http://www.reinhausen.com> below the respective product. Further information is available in the MR Reinhausen customer portal: <https://portal.reinhausen.com>.

1.1 Pressure relief device with standard protective cover

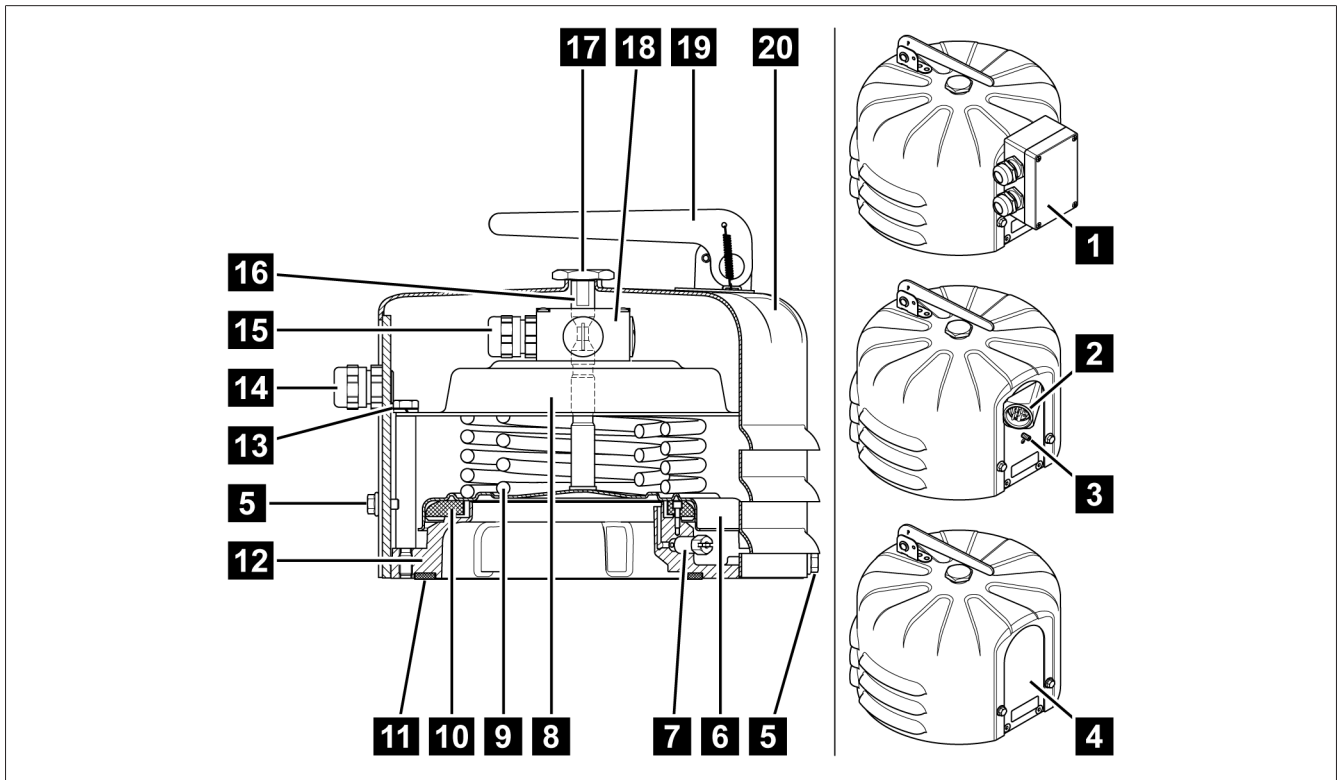


Figure 1: Pressure relief device with standard protective cover

1	Terminal box	2	ANSI plug or Westinghouse plug
3	Ground connection (only in versions with plug)	4	Without connection, without micro-switches (steel plate without drill holes)
5	3 housing screws M6x10	6	Valve plate
7	Vent screw	8	Counter bearing for spring assembly
9	Spring assembly	10	Gasket (axial) with sealing lip (radial)
11	Mounting seal ring (optional)	12	Device flange
13	6 counter bearing fixing screws	14	M20x1.5 cable gland for cable diameter 5...14 mm (optional 1/2" NPT adapter for customer-side pipe connection)
15	M20x1.5 cable gland on the micro-switch	16	Signal pin
17	Signal pin cap	18	1 or 2 micro-switches (optional)
19	Semaphore (optional)	20	Standard protective cover

1.2 Pressure relief device with OD protective cover

The OD protective cover has an escape opening to drain the oil in the event of tripping. The oil escape opening is designed as a flange for connecting a pipe to be able to drain the escaping oil selectively. An accompanying o-ring seals the flange connection.

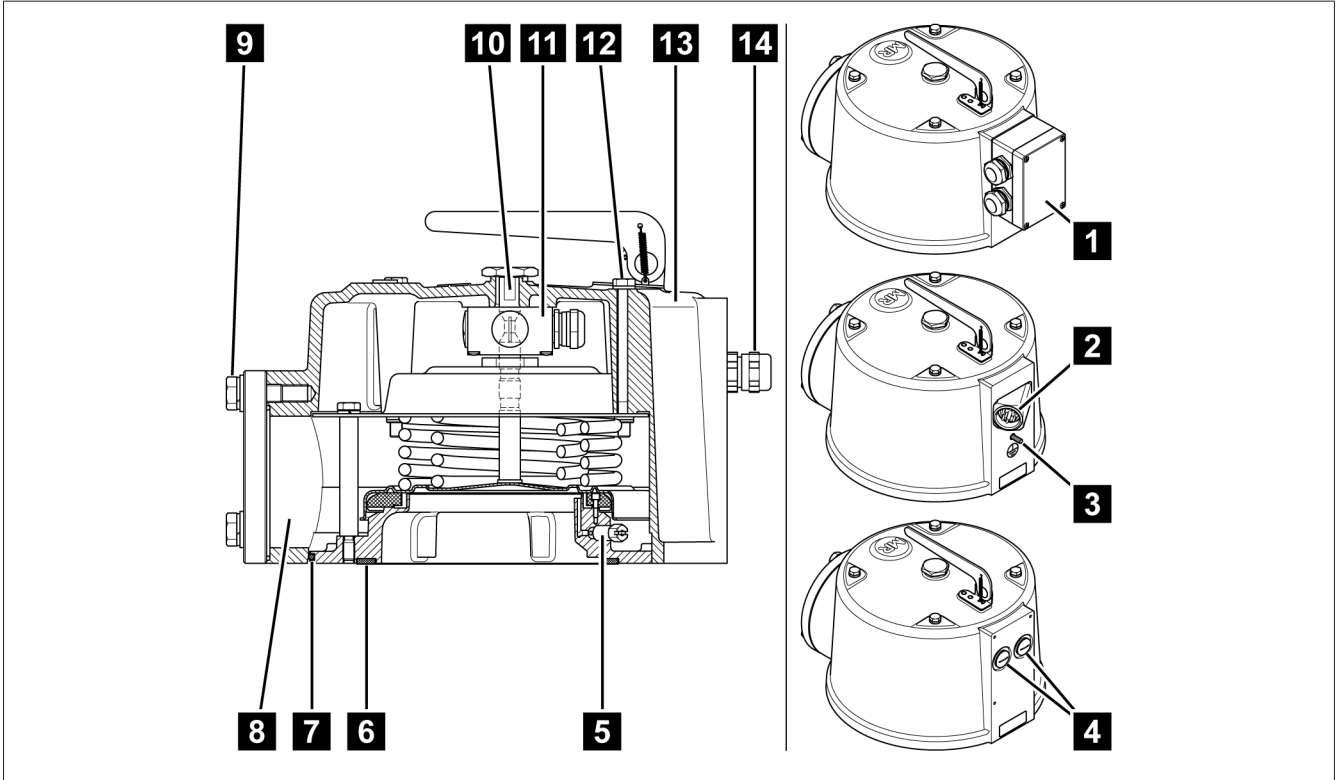


Figure 2: Pressure relief device with OD protective cover

1	Terminal box	2	ANSI plug or Westinghouse plug
3	Ground connection (only in versions with plug)	4	Without connection, without micro-switches (2 steel plates with dummy fittings)
5	Vent screw	6	Mounting seal ring (optional)
7	O-ring gasket between device and protective cover	8	Oil escape opening
9	Pipe connection with o-ring 95x3 and 3 hexagon screws M12x40 with washer and spring washer, wrench size 19	10	Signal pin with signal pin cap
11	1 or 2 micro-switches (optional)	12	4 housing screws M8x100
13	OD protective cover	14	M20x1.5 cable gland for cable diameter 5...14 mm (optional 1/2" NPT adapter for customer-side pipe connection)

2 Technical data

Operating conditions	
Location of use	Indoors and outdoors; tropic-proof
Ambient air temperature	-50 °C...+80 °C (mechanical version only) -40 °C...+80 °C (version with micro-switches)
Operating temperature	-40 °C...+80 °C
Insulating fluid temperature	-30 °C...+120 °C
Storage temperature	-50 °C...+80 °C
Degree of protection (terminal box, cable glands, micro-switches)	IP66 in accordance with IEC 60529
Contamination level	3
Overvoltage category	III; external protection: Miniature circuit breaker maximum 16 A, C-characteristic

Materials	
All parts	Weather-resistant and transformer oil-resistant; all external parts UV-resistant
	Offshore version: All external parts also seawater resistant
Device flange	Seawater-proof aluminum casting
Standard protective cover	Seawater-proof aluminum with powder coating RAL 7033 or RAL 7038
OD protective cover	Seawater-proof aluminum casting with powder coating RAL 7033 or RAL 7038; sealing lip in the valve plate included in the scope of delivery
	Offshore version available as an option: <ul style="list-style-type: none"> - Screws in V4A in accordance with DIN 931/933 - Cable glands in accordance with EN 60423, ISO 965 - Paint category CX in accordance with ISO 12944
Valve plate	Stainless steel
Gasket materials	<ul style="list-style-type: none"> - NBR for mineral oil - Viton for alternative insulating fluids (silicone oil, Pyranol and similar)
Springs	Spring steel in accordance with EN 10270-1 SH, compression springs with configuration-specific parts painting (in German: KTL) for identification and corrosion protection
Signal pin	Seawater-proof aluminum; anodized
	<ul style="list-style-type: none"> - Red for standard sealing lip, NBR (mineral oil) - Blue for Viton (alternative insulating fluids such as silicone oil, Pyranol and similar)
Mounting seal ring (optional)	<ul style="list-style-type: none"> - Order No.: 50032703 for NBR (mineral oil) - Order No.: 73314900 for Viton (alternative insulating fluids such as silicone oil, Pyranol and similar)
Vent screw	Self-securing; stainless steel; wrench size 10
Semaphore	Optional; corrosion-resistant steel with powder coating RAL 1026, luminous yellow; (not suitable for offshore applications)

Dimensions	
Fastening	Ø 235 mm [Ø 9.25"] bolt circle of the 6 holes Ø 15.5 mm [Ø 0.61"]
Protective cover	Ø 265 mm [Ø 10.43"] standard protective cover
	Ø 290 mm [Ø 11.42"] OD protective cover
Oil escape opening	Only for version with OD protective cover: <ul style="list-style-type: none"> - Ø 90 mm [3.54"] with o-ring 95x3; bolt circle of the 3 holes Ø 120 mm [Ø 4.72"] - Connecting flange (available as an option) with internal thread G3 1/4" or for welding
Height (in tripped state)	Max. 234.5 mm [9.23"] standard protective cover without semaphore Max. 340 mm [13.39"] standard protective cover with semaphore
	Max. 246 mm [9.96"] OD protective cover without semaphore Max. 342 mm [13.46"] OD protective cover with semaphore
Mounting seal ring	Available as an option; Ø 200 mm x Ø 178.5 mm x 4.25 mm [Ø 7.87" x Ø 7.03" x 0.17"]
Connection cable length for plug version	1,219 mm [48"]; 1,829 mm [72"]; 2,134 mm [84"]; 2,438 mm [96"]; 3,658 mm [144"]; 4,572 mm [180"]; 5,004 mm [197"]; 5,080 mm [200"]; 6,096 mm [240"]; 7,620 mm [300"]; 9,144 mm [360"]; 10,000 mm [394"]; 11,990 mm [472"]; 15,010 mm [591"]; 20,110 mm [792"]
Weight	Approximately 6 kg with standard protective cover Approximately 11 kg with OD protective cover

LMPRD ¹⁾ type	Operating pressure		
	[psi]	[bar]	[kPa]
4-psi LMPRD	4 ± 1	0.28 ± 0.07	28 ± 6.9
5-psi LMPRD	5 ± 1	0.34 ± 0.07	34 ± 6.9
6-psi LMPRD	6 ± 1	0.41 ± 0.07	41 ± 6.9
8-psi LMPRD	8 ± 1	0.55 ± 0.07	55 ± 6.9
10-psi LMPRD	10 ± 1	0.69 ± 0.07	69 ± 6.9
12-psi LMPRD	12 ± 1	0.83 ± 0.07	83 ± 6.9
15-psi LMPRD	15 ± 2	1.03 ± 0.14	103 ± 13.8
20-psi LMPRD	20 ± 2	1.38 ± 0.14	138 ± 13.8
25-psi LMPRD	25 ± 2	1.72 ± 0.14	172 ± 13.8
30-psi LMPRD	30 ± 2	2.07 ± 0.14	207 ± 13.8

¹⁾ LMPRD = Large MESSKO® Pressure Relief Device

Micro-switches	
Switch type	Switch with standard contacts (silver alloy), switch with gold-plated contacts
Contact type	Standard contacts: 1 x NO (normally open contact) and 1 x NC (normally closed contact) or 2 x NO (normally open contact)
	Gold-plated contacts: 1 x NO (normally open contact) and 1 x NC (normally closed contact)
Housing material	Seawater-proof aluminum
Rated operating voltage	U _e = 240 V

Micro-switches			
Standard contact switching capacity in accordance with IEC 60076-22-1	Max. current	10 A	30 ms
		24 V DC...220 V DC	
	Making capacity	130 W	L/R <40 ms
	Breaking capacity	25 W	L/R <40 ms
		230 V AC	
	Making capacity	250 VA	cos φ >0.5
	Breaking capacity	60 VA	cos φ >0.5
Switching capacity, switch with gold-plated contacts ²⁾ ²⁾ Switching higher loads destroys the gold plating		24 V DC	
	Making capacity	Max. 0.1 W	Resistive load
	Breaking capacity	Max. 0.1 W	Resistive load
Switch characteristics in accordance with IEC 60076-22-1	Minimum dielectric strength, short-term power supply frequency withstand voltage	2 kV, 1 min, between circuit and ground 1 kV, 1 min, between the contacts in the open position	
	Minimum dielectric strength lightning impulse withstand voltage	4 kV (peak), between circuit and ground 3 kV (peak), between the contacts in the open position	

Connection via cable glands	
Connection terminals	Single-wire: 0.5...2.5 mm ² , AWG 21...14; wires with ferrule: 0.5...1.5 mm ² , AWG 21...16
Cable glands	IP66 and offshore applications: M20x1.5 for cable diameters 5...14 mm; connection cable not included in delivery
Optional 1/2" NPT adapter	For customer-side pipe connection
Degree of protection	IP66 in accordance with IEC 60529 for enclosed devices

Connection via terminal box	
Connection terminals	Single-wire: 1...4 mm ² , AWG 18...12; wires with ferrule: 0.5...2.5 mm ² , AWG 21...14
Cable glands	IP66: M25x1.5 for cable diameters 11...20 mm
	Offshore version: M25x1.5 for cable diameters 11...20 mm, stainless steel
Degree of protection	IP66 in accordance with IEC 60529 for enclosed devices

Connection via plug	
Connecting cable	ANSI socket connection cable AWG 16, or Westinghouse socket connection cable AWG 16
Degree of protection	IP65 in accordance with IEC 60529 for enclosed devices

3 Drawings

The product may have been altered since this document was published.

© MASCHINENFABRIK REINHAUSEN GMBH 2020
 THE REPRODUCTION, DISTRIBUTION AND UTILIZATION OF THIS DOCUMENT AS WELL AS THE COMMUNICATION OF ITS CONTENTS TO OTHERS WITHOUT EXPRESS AUTHORIZATION IS PROHIBITED. OFFENDERS WILL BE HELD LIABLE FOR THE PAYMENT OF DAMAGES. ALL RIGHTS RESERVED IN THE EVENT OF THE GRANT OF A PATENT, UTILITY MODEL OR DESIGN.

DATE	NAME	DOCUMENT NO.
JFTR.	-	SED 7257026 000 00
CHKD.	-	CHANGE NO.
STAND.	-	1099141
		SCALE
		1:2

DIMENSION
 IN mm
 EXCEPT AS
 NOTED

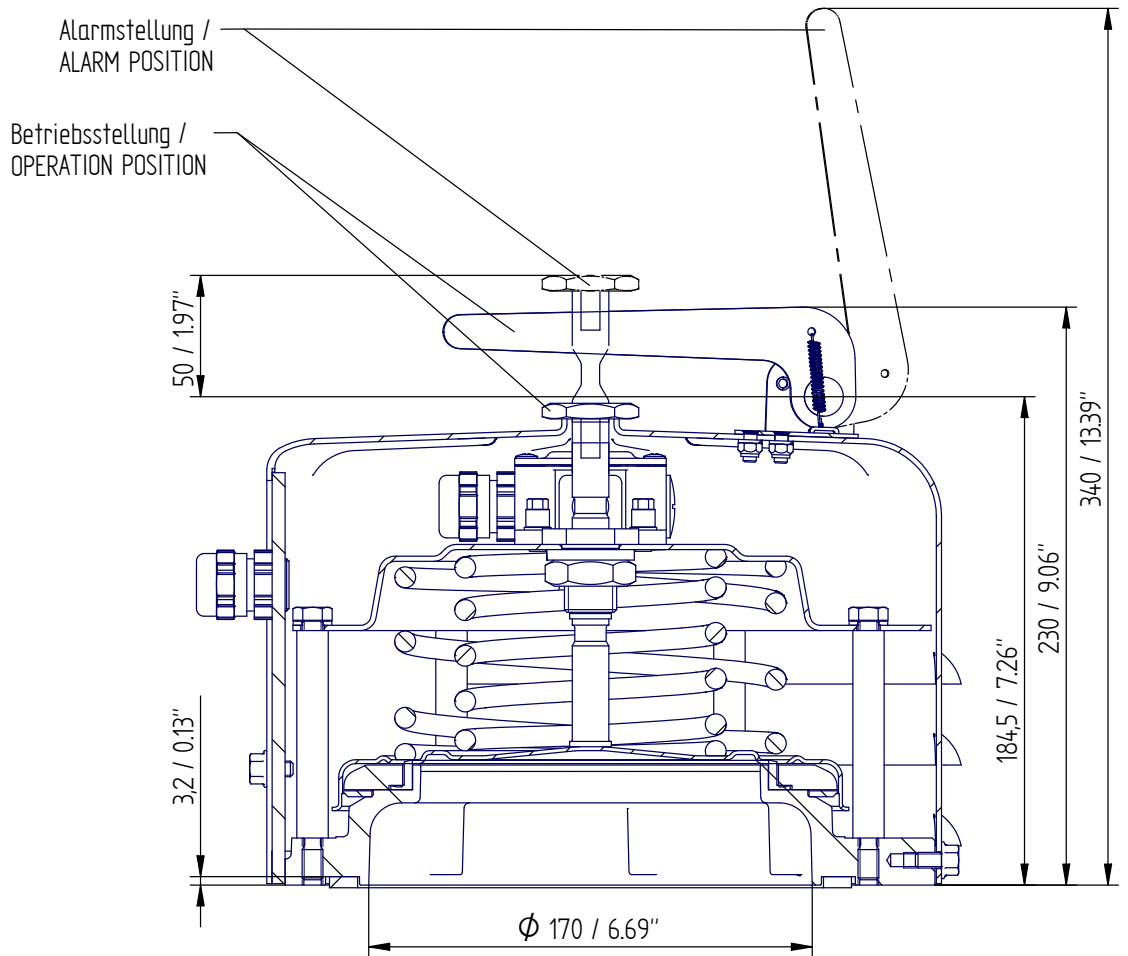
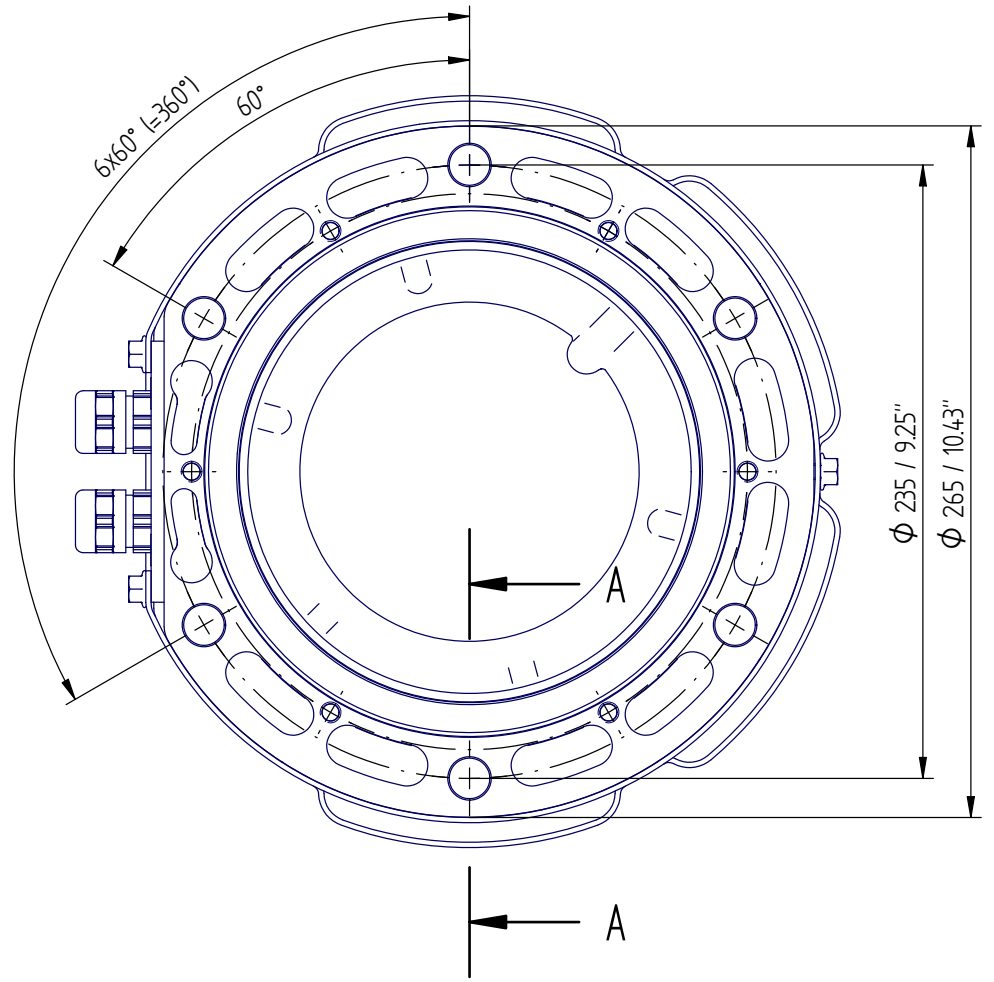
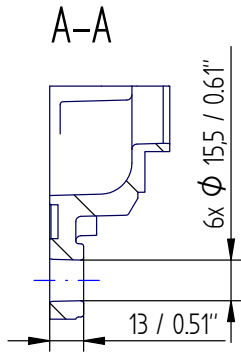


TRANSFORMER ACCESSORIES
 PRESSURE RELIEF DEVICE MPREC
 STANDARD COVER

SERIAL NUMBER

MATERIAL NUMBER

SHEET
 1 / 1



© MASCHINENFABRIK REINHAUSEN GMBH 2020
 THE REPRODUCTION, DISTRIBUTION AND UTILIZATION OF THIS DOCUMENT AS WELL AS THE COMMUNICATION OF ITS CONTENTS TO OTHERS WITHOUT EXPRESS AUTHORIZATION IS
 PROHIBITED. OFFENDERS WILL BE HELD LIABLE FOR THE PAYMENT OF DAMAGES. ALL RIGHTS RESERVED IN THE EVENT OF THE GRANT OF A PATENT, UTILITY MODEL OR DESIGN.

DATE	NAME	DOCUMENT NO.
02.08.2023	THIELEK	SED 7266672 000 03
CHKD. 02.08.2023	SCHAEFERB	CHANGE NO. SCALE
STAND. 02.08.2023	KLEYN	1123935 1:2

DIMENSION
 IN mm
 EXCEPT AS
 NOTED

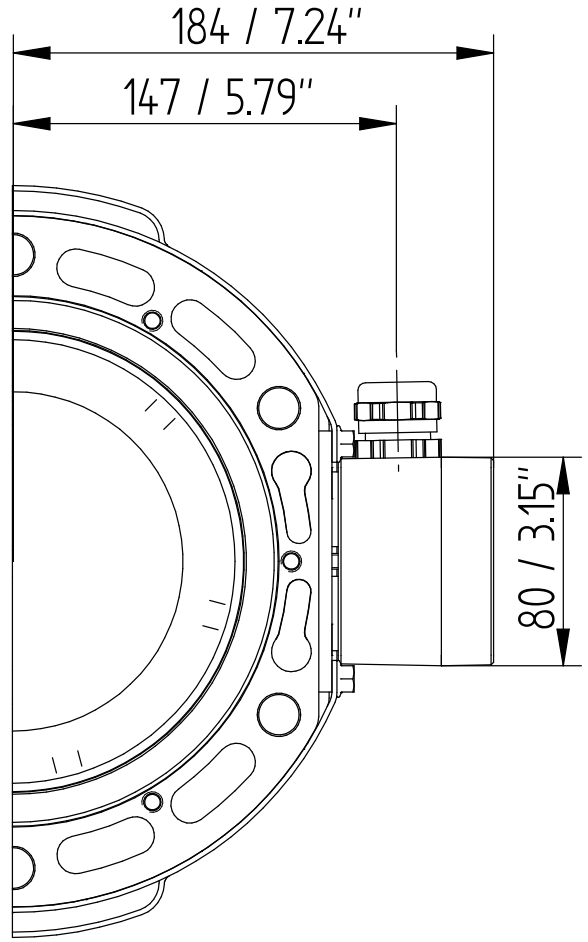
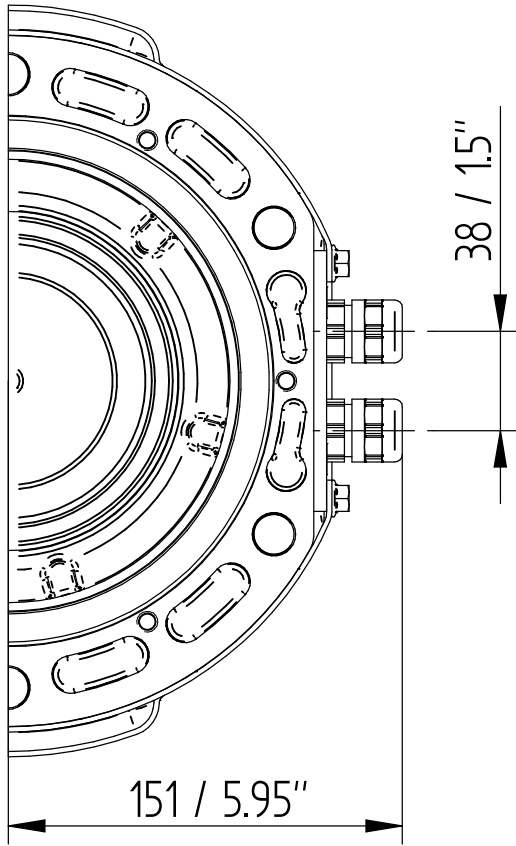
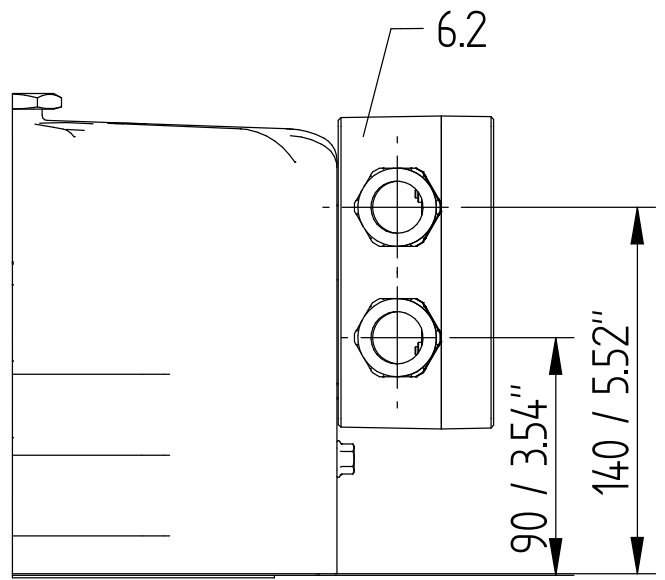
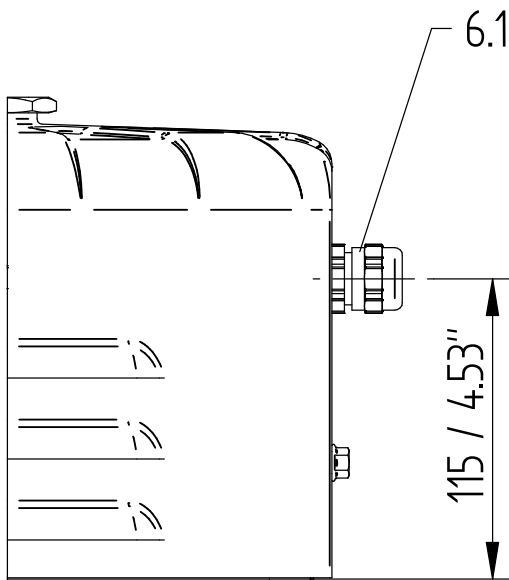


TRANSFORMER ACCESSORIES
 PRESSURE RELIEF DEVICE MPREC
 STANDARD COVER - DIRECT / BOX

SERIAL NUMBER

MATERIAL NUMBER
 101591100M

SHEET
 1 / 3



© MASCHINENFABRIK REINHAUSEN GMBH 2020
 THE REPRODUCTION, DISTRIBUTION AND UTILIZATION OF THIS DOCUMENT AS WELL AS THE COMMUNICATION OF ITS CONTENTS TO OTHERS WITHOUT EXPRESS AUTHORIZATION IS PROHIBITED. OFFENDERS WILL BE HELD LIABLE FOR THE PAYMENT OF DAMAGES. ALL RIGHTS RESERVED IN THE EVENT OF THE GRANT OF A PATENT, UTILITY MODEL OR DESIGN.

DATE	NAME	DOCUMENT NO.
02.08.2023	THIELEK	SED 7266672 000 03
02.08.2023	SCHAEFERB	CHANGE NO.
02.08.2023	KLEYN	1123935
SCALE		1:2

DIMENSION
 IN mm
 EXCEPT AS
 NOTED

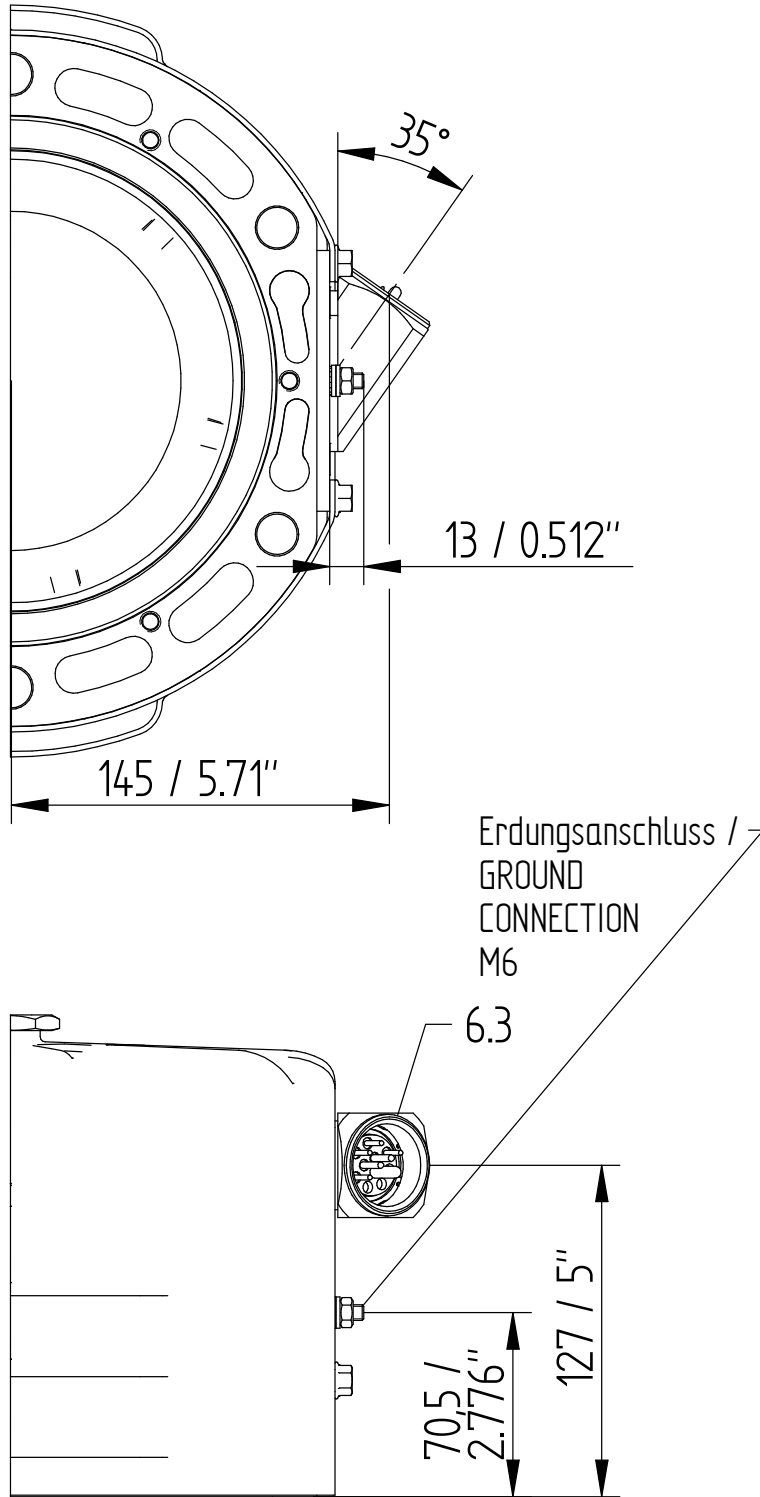


TRANSFORMER ACCESSORIES
 PRESSURE RELIEF DEVICE MPREC
 STANDARD COVER - ANSI / WESTINGHOUSE

SERIAL NUMBER

MATERIAL NUMBER
 101591100M

SHEET
 2 / 3



© MASCHINENFABRIK REINHAUSEN GMBH 2020
 THE REPRODUCTION, DISTRIBUTION AND UTILIZATION OF THIS DOCUMENT AS WELL AS THE COMMUNICATION OF ITS CONTENTS TO OTHERS WITHOUT EXPRESS AUTHORIZATION IS PROHIBITED. OFFENDERS WILL BE HELD LIABLE FOR THE PAYMENT OF DAMAGES. ALL RIGHTS RESERVED IN THE EVENT OF THE GRANT OF A PATENT, UTILITY MODEL OR DESIGN.

DATE	NAME	DOCUMENT NO.
02.08.2023	THIELEK	SED 7266672 000 03
CHKD. 02.08.2023	SCHAEFERB	CHANGE NO.
SCALE	KLEYN	1123935
STAND. 02.08.2023		1:2

DIMENSION
 IN mm
 EXCEPT AS
 NOTED

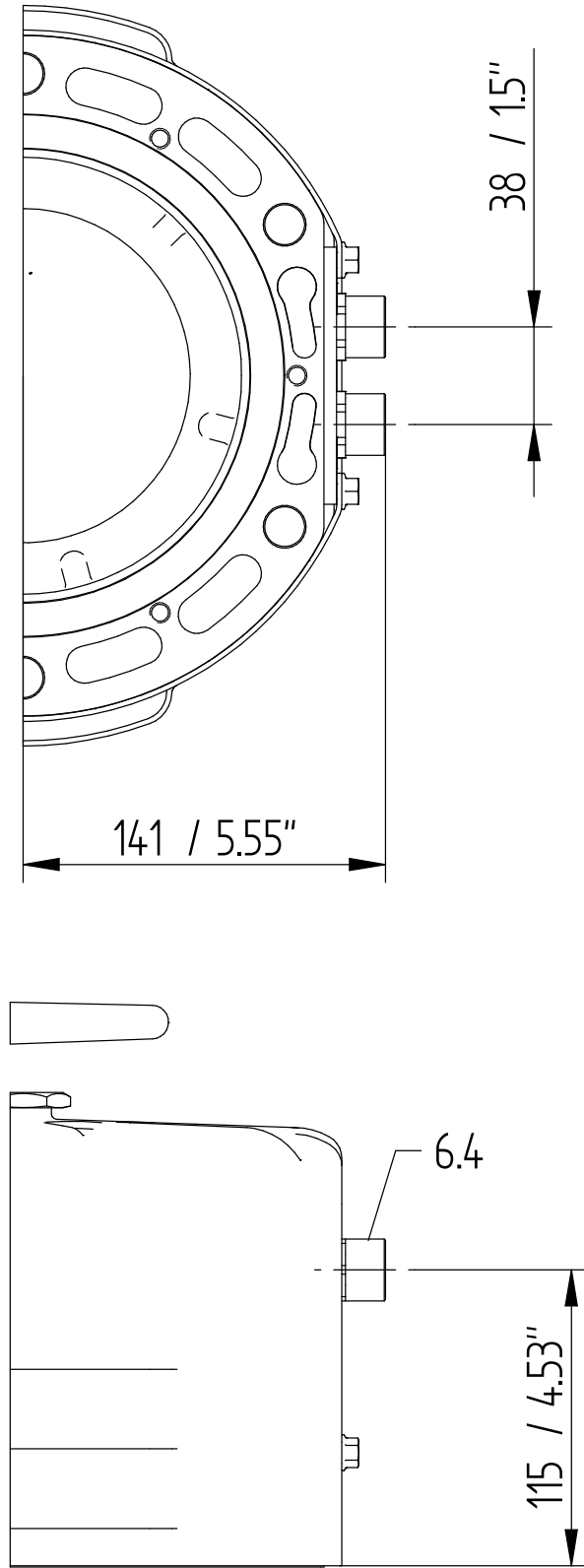


TRANSFORMER ACCESSORIES
 PRESSURE RELIEF DEVICE MPREC
 STANDARD COVER - 1/2" NPT - ADAPTER

SERIAL NUMBER

MATERIAL NUMBER
 101591100M

SHEET
 3 / 3



© MASCHINENFABRIK REINHAUSEN GMBH 2020
 THE REPRODUCTION, DISTRIBUTION AND UTILIZATION OF THIS DOCUMENT AS WELL AS THE COMMUNICATION OF ITS CONTENTS TO OTHERS WITHOUT EXPRESS AUTHORIZATION IS
 PROHIBITED. OFFENDERS WILL BE HELD LIABLE FOR THE PAYMENT OF DAMAGES. ALL RIGHTS RESERVED IN THE EVENT OF A PATENT, UTILITY MODEL OR DESIGN.

DATE	NAME	DOCUMENT NO.
31.07.2023	THIELEK	SED 7267429 000 01
01.08.2023	SCHAEFERB	CHANGE NO.
02.08.2023	KLEYN	1123935
STAND		SCALE
		1:2

DIMENSION
 IN mm
 EXCEPT AS
 NOTED

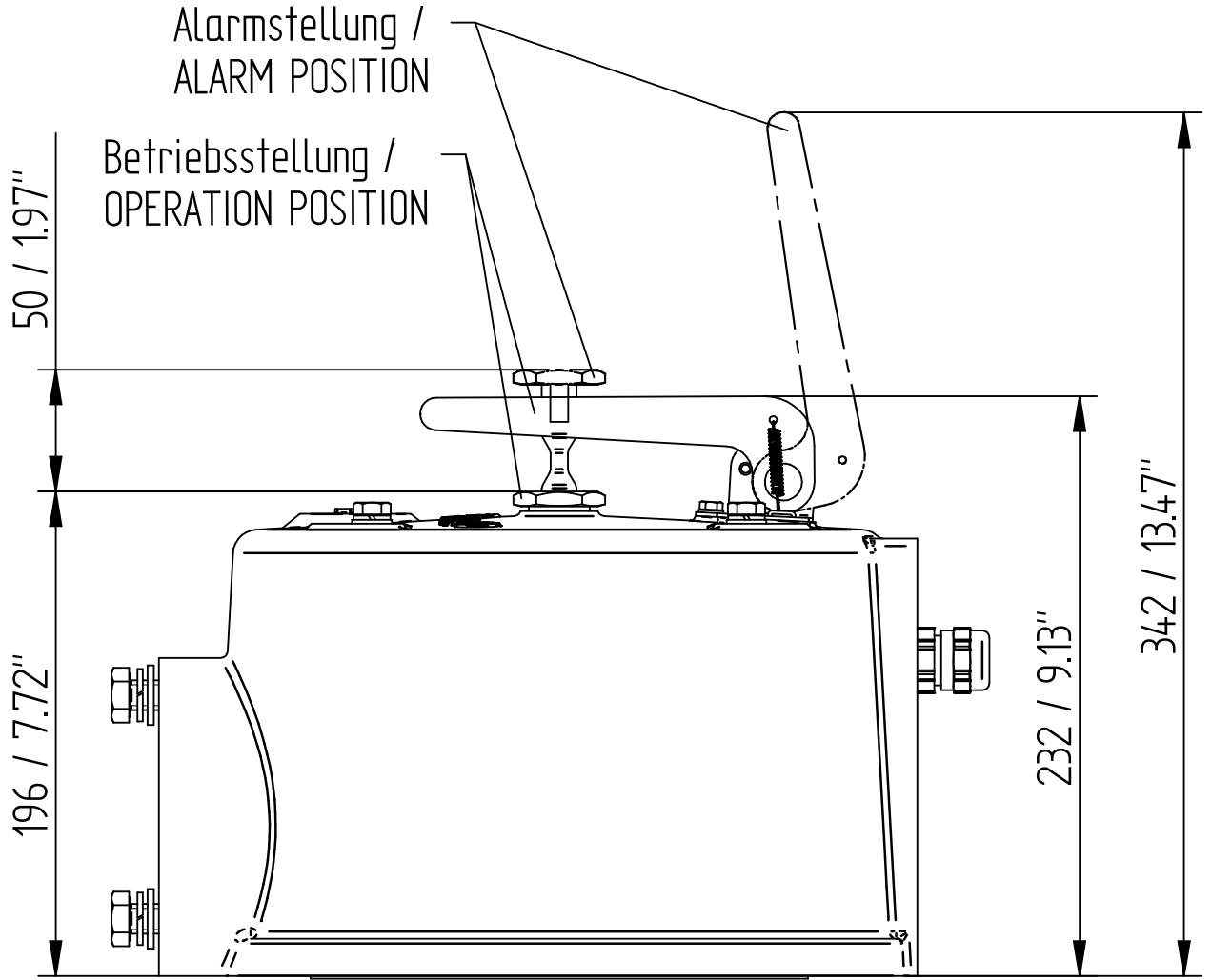


TRANSFORMER ACCESSORIES
 PRESSURE RELIEF DEVICE MPREC
 OD (OIL DIRECTED) COVER

SERIAL NUMBER

MATERIAL NUMBER
 101784200M

SHEET
 1 / 2



© MASCHINENFABRIK REINHAUSEN GMBH 2020
 THE REPRODUCTION, DISTRIBUTION AND UTILIZATION OF THIS DOCUMENT AS WELL AS THE COMMUNICATION OF ITS CONTENTS TO OTHERS WITHOUT EXPRESS AUTHORIZATION IS PROHIBITED. OFFENDERS WILL BE HELD LIABLE FOR THE PAYMENT OF DAMAGES. ALL RIGHTS RESERVED IN THE EVENT OF THE GRANT OF A PATENT, UTILITY MODEL OR DESIGN.

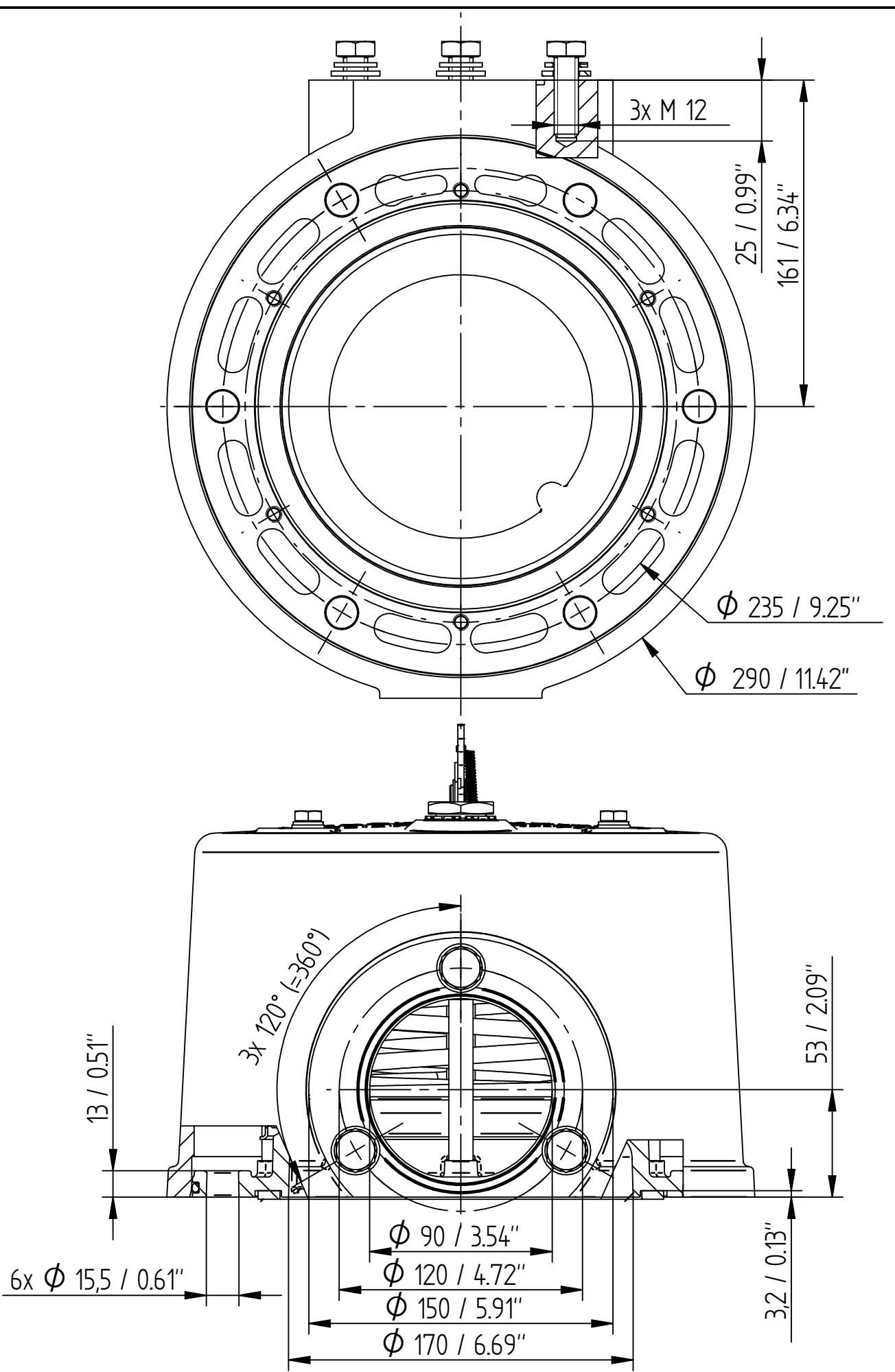
DATE	NAME	DOCUMENT NO.
01.07.2023	THIELEK	SED 7267429 000 01
01.08.2023	SCHAEFERB	CHANGE NO. SCALE
02.08.2023	KLEYN	1123935 1:2

DIMENSION
 IN mm
 EXCEPT AS
 NOTED



TRANSFORMER ACCESSORIES
 PRESSURE RELIEF DEVICE MPREC
 OD (OIL DIRECTED) COVER

SERIAL NUMBER	
-	
MATERIAL NUMBER	SHEET
101784200M	2 / 2



© MASCHINENFABRIK REINHAUSEN GMBH 2020
 THE REPRODUCTION, DISTRIBUTION AND UTILIZATION OF THIS DOCUMENT AS WELL AS THE COMMUNICATION OF ITS CONTENTS TO OTHERS WITHOUT EXPRESS AUTHORIZATION IS PROHIBITED. OFFENDERS WILL BE HELD LIABLE FOR THE PAYMENT OF DAMAGES. ALL RIGHTS RESERVED IN THE EVENT OF THE GRANT OF A PATENT, UTILITY MODEL OR DESIGN.

DATE	NAME	DOCUMENT NO.
02.08.2023	THIELEK	SED 7266974-000 03
CHKD 02.08.2023	SCHAEFERB	CHANGE NO.
SCALE	KLEYN	1123935
STAND 02.08.2023		1:2

DIMENSION
 IN mm
 EXCEPT AS
 NOTED

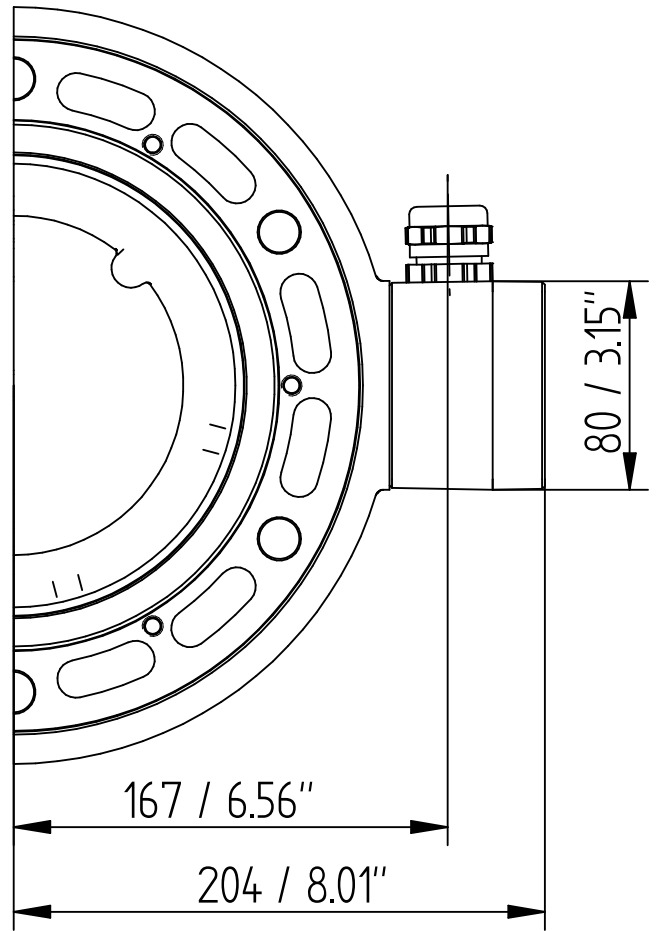
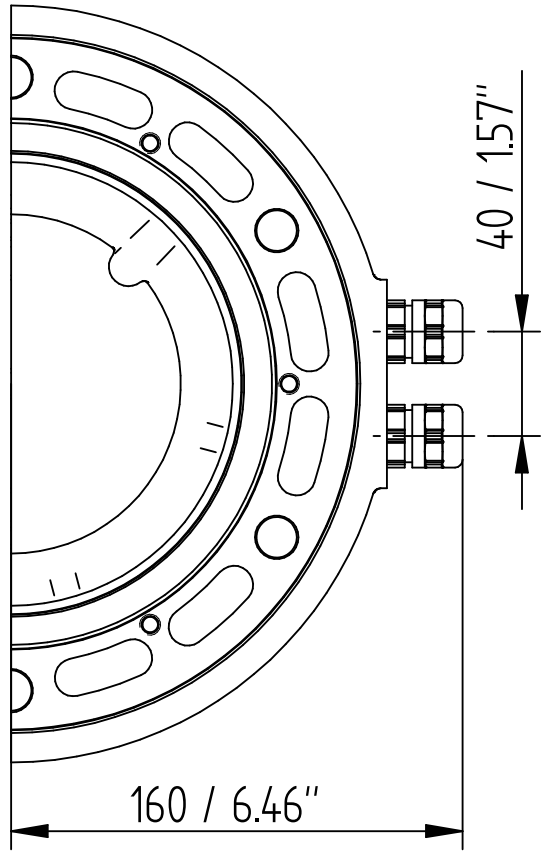
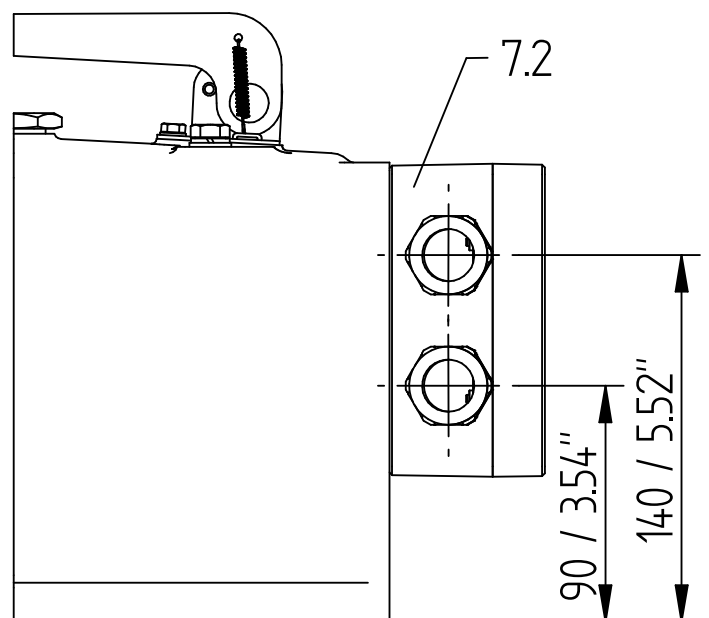
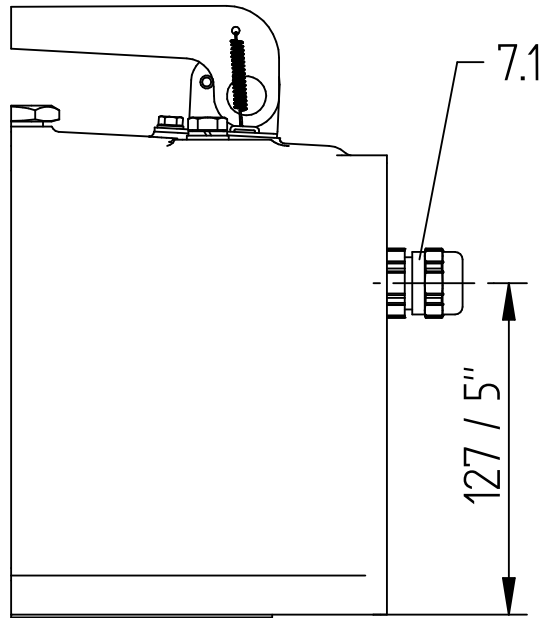


TRANSFORMER ACCESSORIES
 PRESSURE RELIEF DEVICE MPREC
 OD (OIL DIRECTED) COVER - DIRECT / BOX

SERIAL NUMBER

MATERIAL NUMBER
 101591110M

SHEET
 1 / 3



© MASCHINENFABRIK REINHAUSEN GMBH 2020
 THE REPRODUCTION, DISTRIBUTION AND UTILIZATION OF THIS DOCUMENT AS WELL AS THE COMMUNICATION OF ITS CONTENTS TO OTHERS WITHOUT EXPRESS AUTHORIZATION IS PROHIBITED. OFFENDERS WILL BE HELD LIABLE FOR THE PAYMENT OF DAMAGES. ALL RIGHTS RESERVED IN THE EVENT OF A PATENT, UTILITY MODEL OR DESIGN.

DATE	NAME	DOCUMENT NO.
02.08.2023	THIELEK	SED 7266974-000 03
02.08.2023	SCHAEFERB	CHANGE NO.
02.08.2023	KLEYN	1123935
		SCALE
		1:2

DIMENSION
 IN mm
 EXCEPT AS
 NOTED

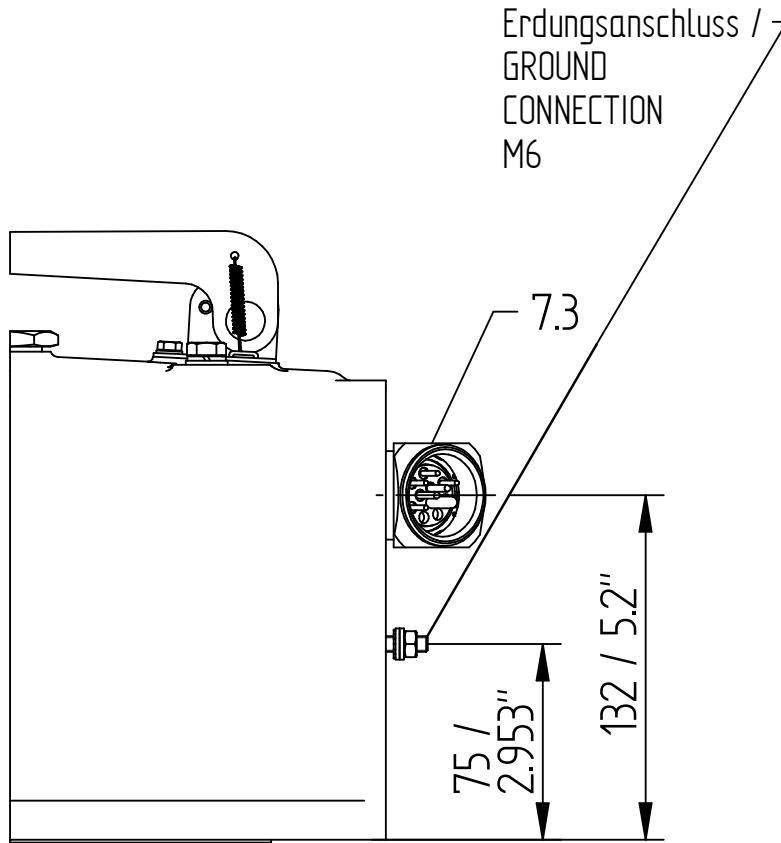
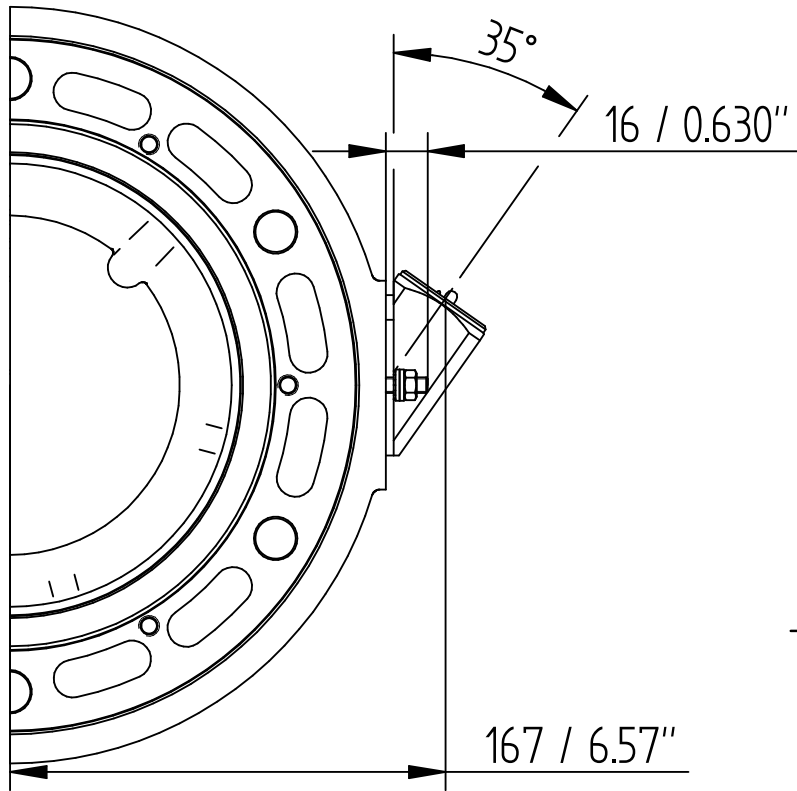


TRANSFORMER ACCESSORIES
 PRESSURE RELIEF DEVICE MPREC
 OD (OIL DIRECTED) COVER - ANSI / WESTINGHOUSE

SERIAL NUMBER

MATERIAL NUMBER
 101591110M

SHEET
 2 / 3



© MASCHINENFABRIK REINHAUSEN GMBH 2020
 THE REPRODUCTION, DISTRIBUTION AND UTILIZATION OF THIS DOCUMENT AS WELL AS THE COMMUNICATION OF ITS CONTENTS TO OTHERS WITHOUT EXPRESS AUTHORIZATION IS PROHIBITED. OFFENDERS WILL BE HELD LIABLE FOR THE PAYMENT OF DAMAGES. ALL RIGHTS RESERVED IN THE EVENT OF THE GRANT OF A PATENT, UTILITY MODEL OR DESIGN.

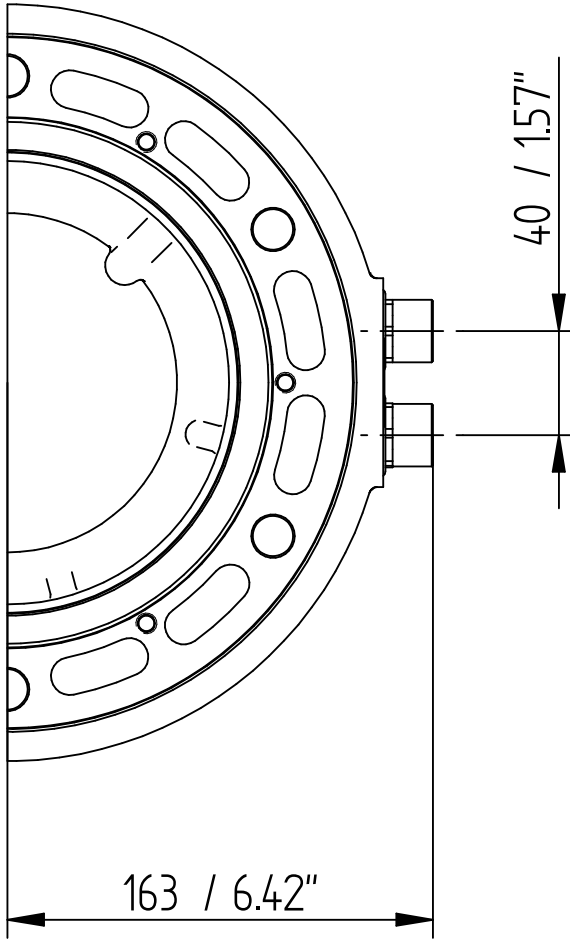
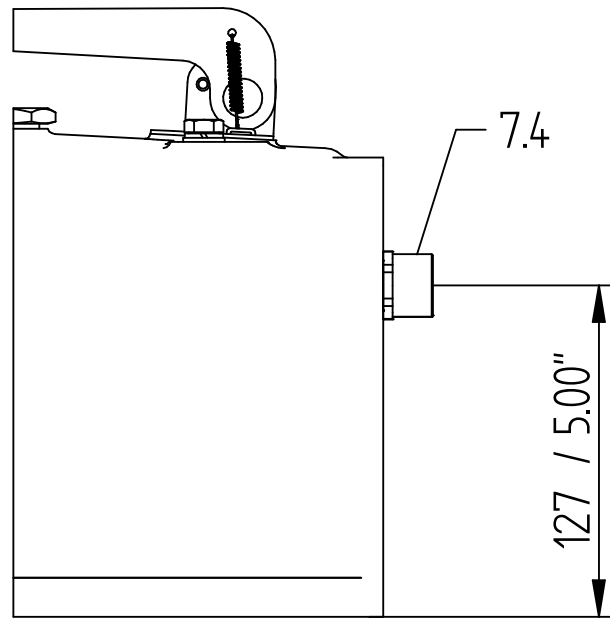
DATE	NAME	DOCUMENT NO.
02.08.2023	THIELEK	SED 7266974-000 03
02.08.2023	SCHAEFERB	CHANGE NO.
02.08.2023	KLEYN	1123935
		SCALE
		1:2

DIMENSION
 IN mm
 EXCEPT AS
 NOTED



TRANSFORMER ACCESSORIES
 PRESSURE RELIEF DEVICE MPREC
 OD (OIL DIRECTED) COVER - 1/2" NPT - ADAPTER

SERIAL NUMBER	
-	
MATERIAL NUMBER	SHEET
101591110M	3 / 3



MASCHINENFABRIK REINHAUSEN GMBH COPYRIGHT RESERVED
 THE REPRODUCTION, DISTRIBUTION AND UTILIZATION OF THIS DOCUMENT AS WELL AS THE COMMUNICATION OF ITS CONTENTS TO OTHERS WITHOUT EXPRESS AUTHORIZATION IS
 PROHIBITED. OFFENDERS WILL BE HELD LIABLE FOR THE PAYMENT OF DAMAGES. ALL RIGHTS RESERVED IN THE EVENT OF THE GRANT OF A PATENT, UTILITY MODEL OR DESIGN.

Gez.	Datum	Name	Dokumentnummer
Gepr.	14.07.2022	THIELEK	SED 8235729 000 00
Norm.	14.07.2022	STOPPEL	Änderungsnummer: Maßstab
		KLEYN	1116515 1:2

Maßangaben
 in mm, soweit
 nicht anders
 angegeben

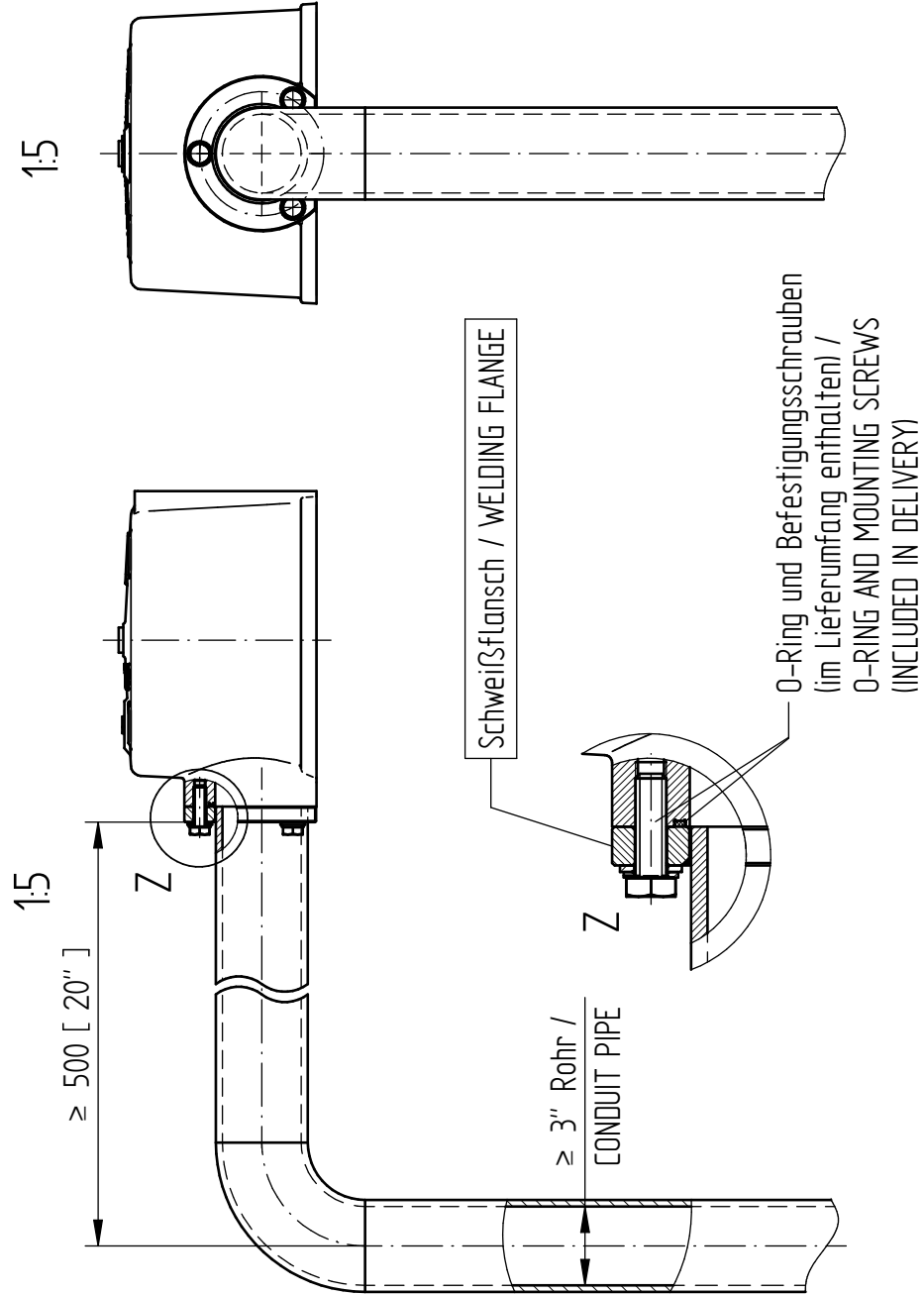


TRANSFORMER ACCESSORIES
 MPREC Ableitrohr/DRAINAGE PIPE
 Maßzeichnung/DIMENSION DRAWING

Serialnummer

Materialnummer
 101716100M

Blatt
 1 / 3



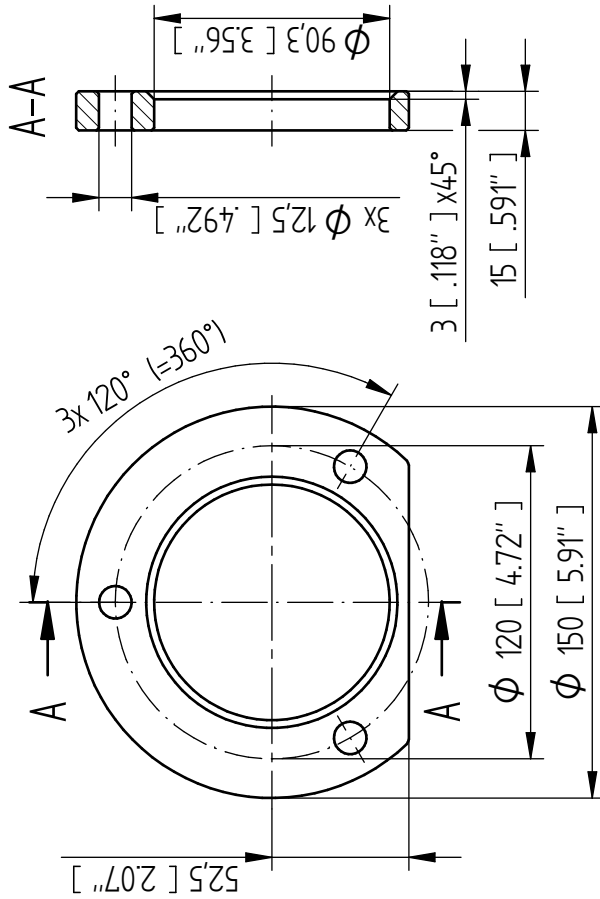
MASCHINENFABRIK REINHAUSEN GMBH. COPYRIGHT RESERVED
 THE REPRODUCTION, DISTRIBUTION AND UTILIZATION OF THIS DOCUMENT AS WELL AS THE COMMUNICATION OF ITS CONTENTS TO OTHERS WITHOUT EXPRESS AUTHORIZATION IS
 PROHIBITED. OFFENDERS WILL BE HELD LIABLE FOR THE PAYMENT OF DAMAGES. ALL RIGHTS RESERVED IN THE EVENT OF THE GRANT OF A PATENT, UTILITY MODEL OR DESIGN.

Gez.	Datum	Name	Dokumentnummer
Gepr.	14.07.2022	THIELEK	SED 8235729 000 00
Norm.	14.07.2022	STOPPEL	Änderungsnummer
	14.07.2022	KLEYN	1116515
			Maßstab
			1:2

Maßangaben
 in mm, soweit
 nicht anders
 angegeben



Schweißflansch Bestell-Nr. / WELDING FLANGE ORDER NO.: 74045001
 Werkstoff / MATERIAL: X5CrNi18-10 (1.4301, AISI 304)



TRANSFORMER ACCESSORIES
 MPREC Ableitrohr/DRAINAGE PIPE
 Maßzeichnung/DIMENSION DRAWING

Serialnummer	-
Materialnummer	101716100M
Blatt	2 / 3

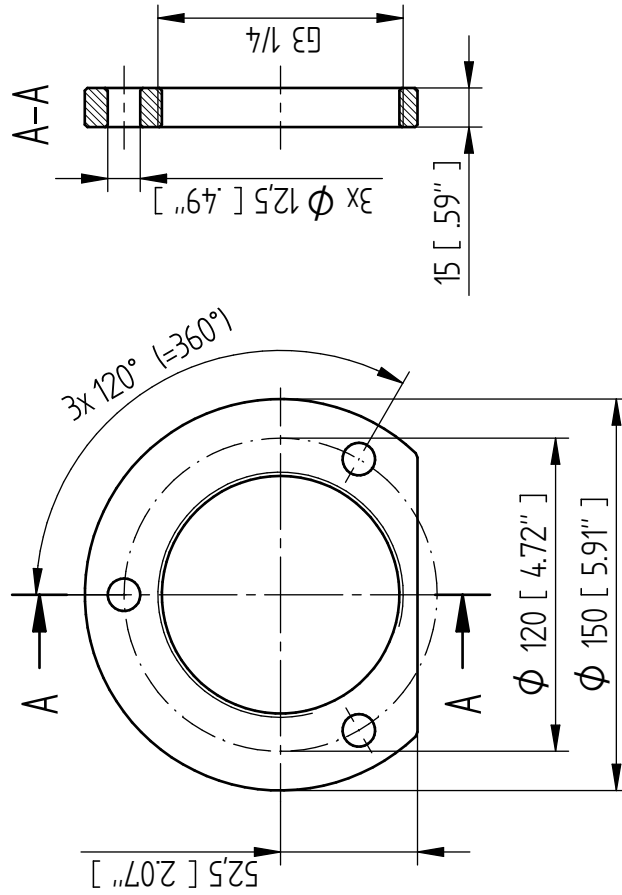
MASCHINENFABRIK REINHAUSEN GMBH COPYRIGHT RESERVED
 THE REPRODUCTION, DISTRIBUTION AND UTILIZATION OF THIS DOCUMENT AS WELL AS THE COMMUNICATION OF ITS CONTENTS TO OTHERS WITHOUT EXPRESS AUTHORIZATION IS
 PROHIBITED. OFFENDERS WILL BE HELD LIABLE FOR THE PAYMENT OF DAMAGES. ALL RIGHTS RESERVED IN THE EVENT OF THE GRANT OF A PATENT, UTILITY MODEL OR DESIGN.

Datum	Name	Dokumentnummer
14.07.2022	THIELEK	SED 8235729 000 00
Gepr. 14.07.2022	STOPPEL	Änderungsnummer
Norm. 14.07.2022	KLEYN	Maßstab 1:2

Maßangaben
 in mm, soweit
 nicht anders
 angegeben



Gewindeflansch Bestell-Nr. / FLANGE INTERNAL THREAD ORDER NO. 73647901
 Werkstoff / MATERIAL X5CrNi18-10 (1.4301, AISI 304)



TRANSFORMER ACCESSORIES
 MPREC Ableitrohr/DRAINAGE PIPE
 Maßzeichnung/DIMENSION DRAWING

Serialnummer	-
Materialnummer	101716100M
Blatt	3 / 3

Maschinenfabrik Reinhausen GmbH

Falkensteinstrasse 8
93059 Regensburg
Germany
+49 941 4090-0
info@reinhausen.com
[reinhausen.com](https://www.reinhausen.com)

Please note:
The data in our publications may differ from the data of the devices delivered.
We reserve the right to make changes without notice.
5785291/05 EN - MESSKO® MPREC³ Technical data -
10/23
Maschinenfabrik Reinhausen GmbH 2023



THE POWER BEHIND POWER.